

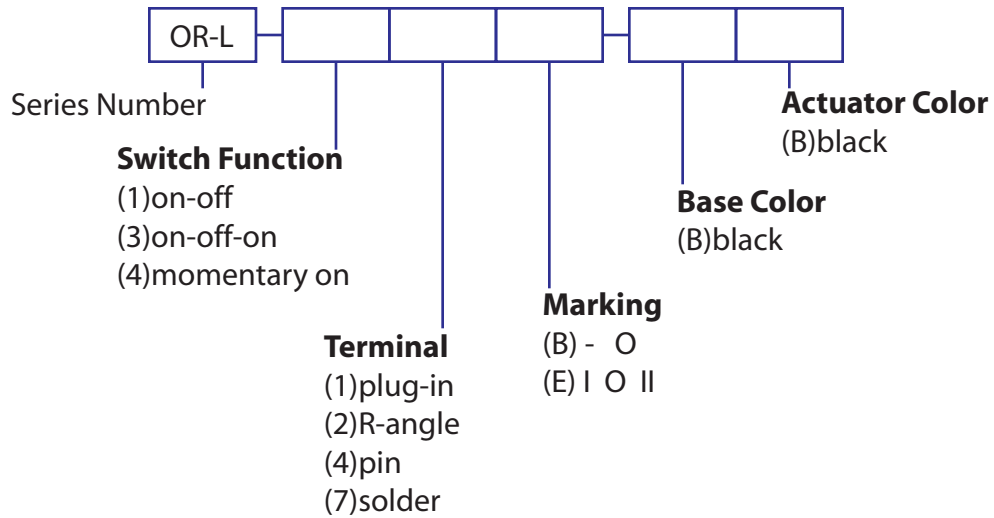
SPECIFICATION

Contact Rating: 10A/125VAC 6A/250VAC(UL,CSA)  
 6A/250VAC T85/55(N,S,D,FI,VDE)  
 Contact Resistance: 50mΩ (max) at initial  
 Insulation Resistance: 500MΩ (min) 500VDC  
 Dielectric Strength: 1800VAC/1 minute  
 Electrical Life: 10,000 cycles  
 Operation Force: 400+/-200g

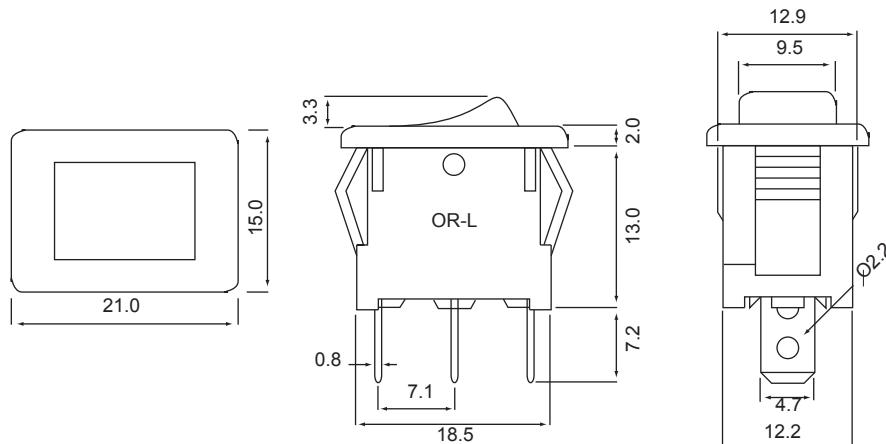
SERIES NUMBER: OR-L



PART NUMBERING SYSTEM



DIMENSIONS(mm)



MOUNTING HOLE		PANEL DIMENSIONS	
Thickness	Side x	Side y	
0.75-1.25	19.2-19.1	13.0-12.9	
1.25-2.00	19.4-19.3	13.0-12.9	
2.00-3.00	19.8-19.7	13.0-12.9	

